

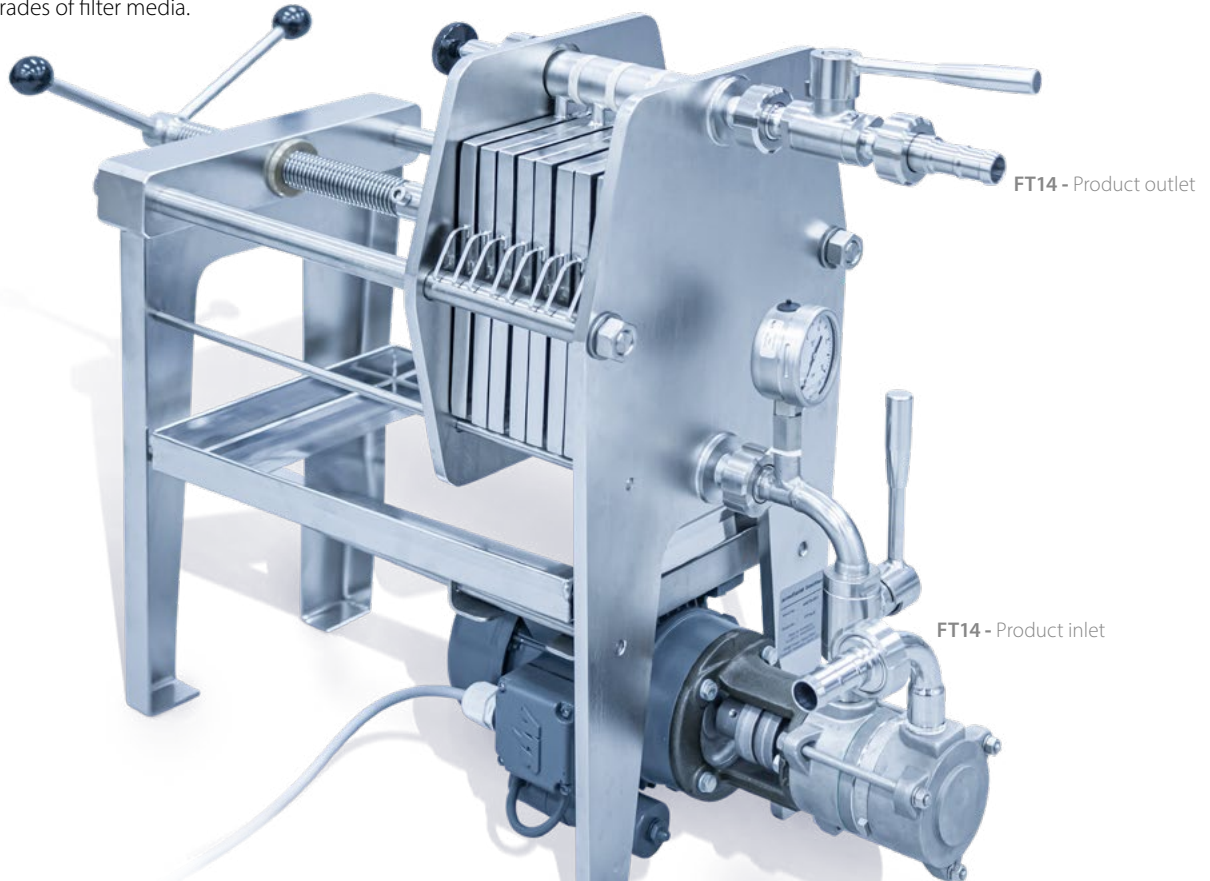
**Plate and Frame Filter Press – FT14**

A small plate pack mounted on a stainless steel framework, enabling demonstration of filler operation.

This type of filter is widely used in the food, pharmaceutical, brewing and distilling industries. The laboratory size unit is robust and versatile.

A high degree of experimentation for scale-up to industrial process including several grades of filter media.

**LABORATORY SIZED  
FOUR GRADES OF FILTER MEDIA SUPPLIED**



**Features/Benefits**

- ▶ Accurate for education and research
- ▶ Versatile unit for uses in:  
**Food/Pharmaceutical/Brewing/Distilling Industries**
- ▶ Simple design enabling easy cleaning
- ▶ Four grades of filter media supplied:  
**Pre-coat filter aid/Coarse clarifying/Polish/Sterilisation**
- ▶ High degree of experimentation for scale-up to industrial processes

## Description

The unit is mounted on a stainless steel, floor standing frame onto which the filter, feed pump and pipework are attached. A stainless steel drip tray is also included. Four grades of filter media are supplied suitable for: pre-coat filter-aid, coarse clarifying, polishing and sterilisation.

The small stainless steel plate pack allows ease of handling. Making teaching demonstrations more convenient. The filter pack between the end castings is made up of one end and three intermediate thick turbid frames and one end and three intermediate filter plates.

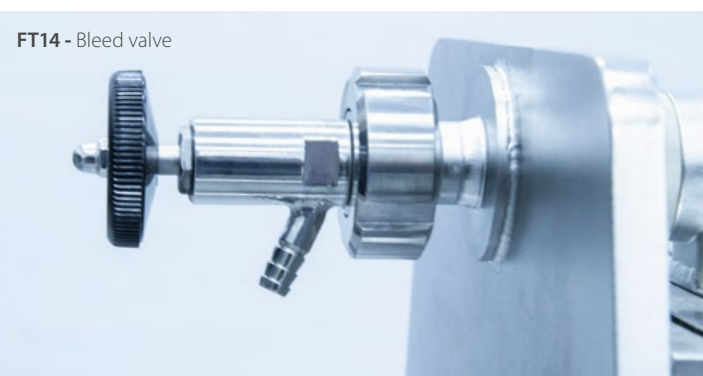
The filter will take a dressing of 7 x 200mm x 200mm filter sheets giving a nominal filtering surface area of 0.22m<sup>2</sup> and a nominal solids holding capacity of 1.5 litres.

## Operation

The slurry to be filtered is connected by hose to the pump suction, and the pump is connected to a suitable electricity supply.

A hose fitted to the filter outlet takes the clear filtrate to a suitable receiving vessel.

The plate pack has been designed to allow washing of the filter cake when filtering is complete. A pressure gauge situated at the filter inlet is used to monitor the filtering process.



FT14 - Bleed valve

## Technical specifications

Feed/Circulating Pump	Centrifugal pump of stainless steel construction with polished internals
Maximum flow rate	18.0 litres/min
Maximum head	2.0 bar
Motor 0.25kW	2800 rpm
Max operating temperature:	95°C
Max sterilisation temperature:	130C
Gasket material:	Silicone

## Overall dimensions

Length	0.73m
Width	0.30m
Height	0.57m

## Packed and created shipping specifications

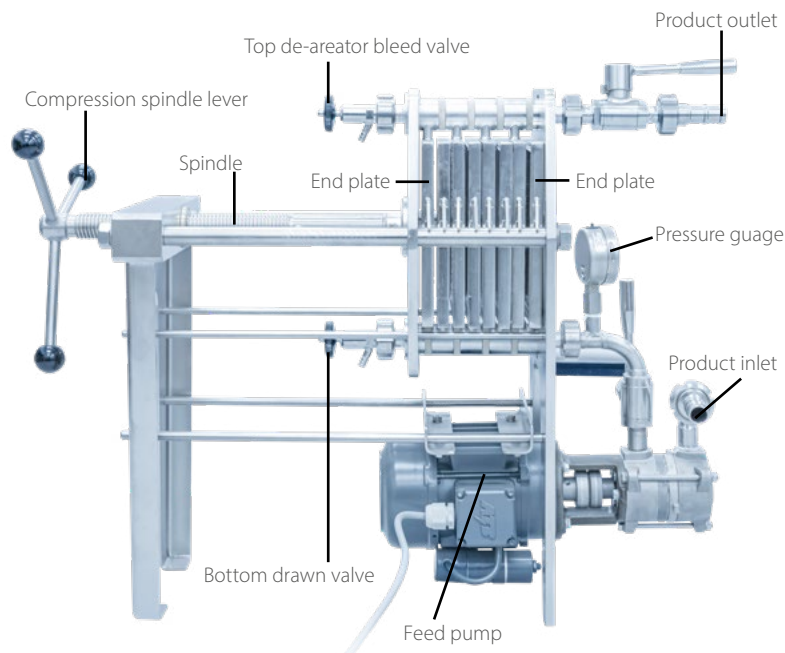
Volume	0.5m <sup>3</sup>
Gross Weight	120Kg

## Ordering Specification

- ▶ A fully self-contained plate and frame type filter press constructed entirely in stainless steel
- ▶ A centrifugal pump is mounted integrally in the framework and is connected to the filter inlet via a throttle valve and pressure gauge
- ▶ The filter pack is made up of four plates and four frames which will accept a dressing of seven filter sheets 200mm x 200mm
- ▶ The filter pack and sheets are compressed manually using a hardened steel screw thread
- ▶ Filter surface area is 0.22m<sup>2</sup> and solids holding capacity is 1.5 litres
- ▶ A back pressure valve is located at the filter outlet

## Applications

- ▶ Wine
- ▶ Beer
- ▶ Low TDS slurry



## Requirements



- ▶ Electricity supply:
  - FT14-A: 220-240V/1ph/50Hz
  - FT14-B: 120V/1ph/60Hz
  - FT14-G: 220-240V/1ph/60Hz

## Scale



## Ordering codes

- ▶ FT14-A
- ▶ FT14-B
- ▶ FT14-G

Armfield standard warranty applies with this product

## Knowledge base

- > 28 years expertise in research & development technology
- > 50 years providing engaging engineering teaching equipment

Benefit from our experience, just call or email to discuss your laboratory needs, latest project or application.

An ISO 9001:2015 Company



armfield.co.uk

## Aftercare

Installation  
Commissioning  
Training  
Service and maintenance  
Support: [armfieldassist.com](http://armfieldassist.com)